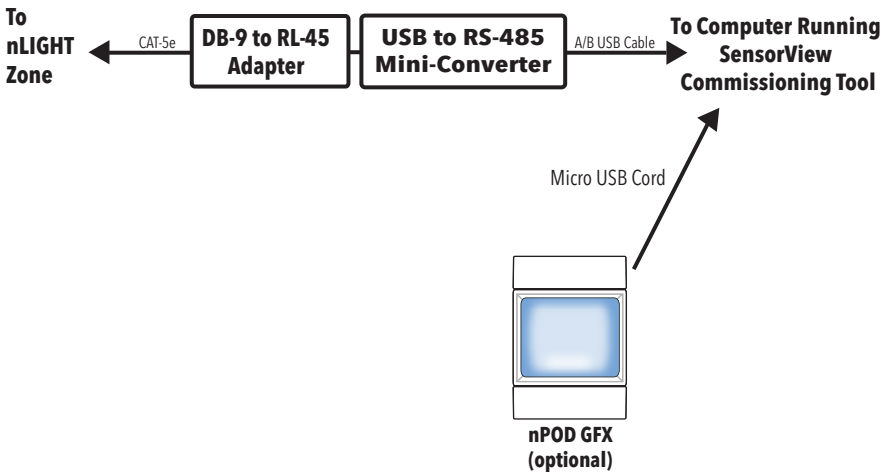


OVERVIEW

The **nCom Kit** is intended for programming standalone nLight zones. If your system is using nLight bridges, this device will not be able to read or write settings from one bridge port to another. The **nCom Kit** will discover all of the devices that are daisy-chained back to the bridge port if a bridge is connected. If nLight bridges are not used, the **nCom Kit** will discover all devices that are connected to the daisy-chain.

CONTENTS

- 10 ft. Pre-Terminated CAT-5e Cable
- Single male to dual-female CAT-5e Y-Splitter
- USB to RS-485 Mini-Converter
- A/B USB Cable
- DB-9 to RJ-45 Wiring Adapter
- 6 ft. USB to Micro USB Cable



nLight®

nComKit
nLight Commissioning Kit

Warranty

Five-year limited warranty. Complete warranty terms located at: www.acuitybrands.com/CustomerResources/Terms_and_conditions.aspx

Note: Actual performance may differ as a result of end-user environment and application. Specifications subject to change without notice.

ORDERING INFORMATION

| |
|----------------------------------|
| nComKit |
| Series |
| nComKit nLight Commissioning Kit |